

Permanent Magnet Driveheads

For Progressing Cavity Pumping Application

Permanent Magnet Driveheads (PMD) offer the latest in surface drivehead technology. Permanent Magnet Motor Technology provides full torque capabilities throughout the complete speed operation range. The elimination of belts and sheaves offers improved operational safety while reducing costs associated with maintenance and spare parts. Field trials and laboratory testing have proven power savings of up to 30% when compared to conventional electric PCP direct drivehead applications.

Advantages:

- No sheaves, belts and guards are required
- Up to 30% less energy consumption
- Low noise emission
- Low Maintenance cost
- Increase operator safety by elimination of belts and sheaves



MODEL	PMD400-M3		PMD700-M3		PMD1200-M3	
Rated Voltage VAC	380 VAC	480 VAC	380 VAC	480 VAC	380 VAC	480 VAC
Phases	3 Phase		3 Phase		3 Phase	
Poles	32 Poles		32 Poles		32 Poles	
Rated Current Amps	37 Amps	25 Amps	64 Amps	40 Amps	110 Amps	86 Amps
Rated Torque Nm (ftlbs)	544 Nm / 400 Ftlbs		952 Nm / 700 Ftlbs		1625 Nm / 1200 Ftlbs	
Rated Power Kw (HP)	20 Kw / 27 Hp		35 Kw / 48 Hp		60 Kw / 80 Hp	
Rated frequency Hz	93.3 Hz		93.3 Hz		93.3 Hz	
Rated Speed	350 Rpms	400 Rpms	350 Rpms	400 Rpms	350 Rpms	400 Rpms
Maximum Speed	400 Rpm	450 Rpm	400 Rpm	450 Rpm	400 Rpm	450 Rpm
Shaft diameter	Φ115 mm		Φ115 mm		Φ115 mm	
Main Shaft Type	Hollow Shaft		Hollow Shaft		Hollow Shaft	
Polished Rod	1.1/4" or 1.1/2"		1.1/4" or 1.1/2"		1.1/4" or 1.1/2"	
Polished Rod Clamp	6 Bolts		6 Bolts		6 Bolts	
Operating Temperature	-40°C-+60°C		-40°C-+60°C		-40°C-+60°C	
Insulation Class	F		F		F	
Outdoor Rating	IP55		IP55		IP55	
Weight	500 Kg / 1100 lbs		550 Kg / 1210 lbs		650 Kg / 1435 lbs	

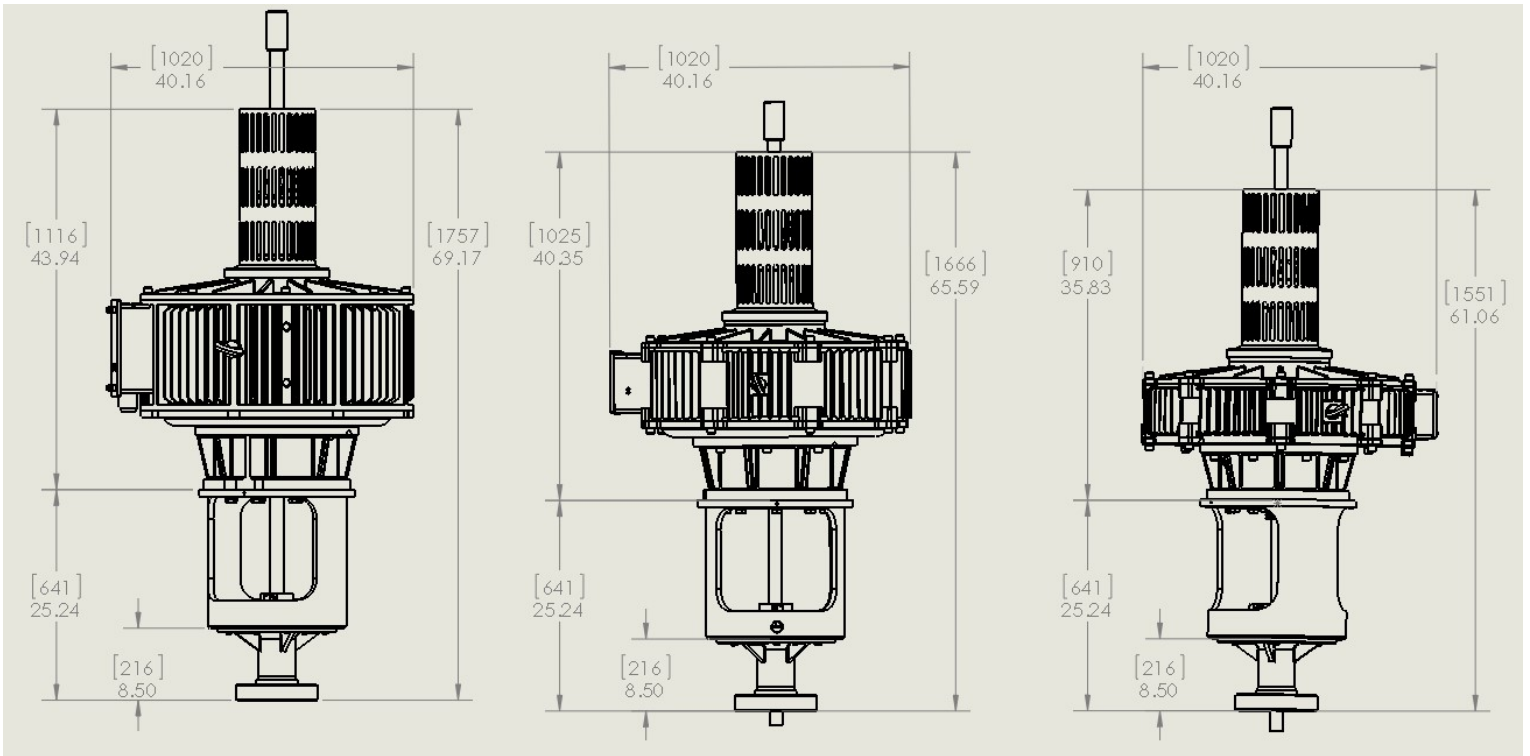
Permanent Magnet Driveheads

Dimensions:

PMD1200-M3

PMD700-M3

PMD400-M3



Notes:
