

Permanent Magnet Motors

For Pumping Unit Application

Permanent Magnet Motors for Pumping unit applications use the latest in electric motor technology to provide a more energy efficient, cost saving, and safe surface pumping system. Permanent Magnet Motor technology provides full torque capabilities throughout the complete speed operation range of the motor allowing the pumping unit to be started or shutdown with the counterbalance weights in any position. The elimination of belts and sheaves offers improved operational safety while reducing operational costs associated with maintenance and spare parts.



Advantages:

- Eliminates continuous eccentric wear caused by tension of the belt on the gear reducer shaft.
- Up to 30% less energy consumption
- Low noise emission
- Reduce the overall Pumping Unit footprint
- Minimal Maintenance and no spare parts
- Start-up and shutdown with the counterbalance weight in any position

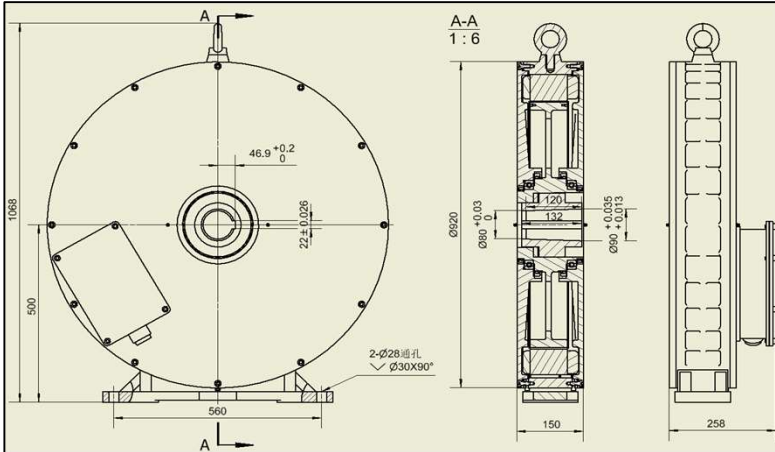


MODEL	PMM22KW		PMM30KW		PMM37KW		PMM45KW		PMM58KW		PMM75KW	
Rated Voltage VAC	380 VAC	480 VAC	380 VAC	480 VAC	380 VAC	480 VAC	380 VAC	480 VAC	380 VAC	480 VAC	380 VAC	480 VAC
Phases	3 Phase		3 Phase		3 Phase		3 Phase		3 Phase		3 Phase	
Poles	50 Poles		50 Poles		50 Poles		50 Poles		50 Poles		50 Poles	
Rated Current Amps	37 Amps		50 Amps		61 Amps		75 Amps		112 Amps		135 Amps	
Rated Torque Nm (ftlbs)	913 Nm / 673 Ftlbs		1246 Nm / 920 Ftlbs		1536 Nm / 1132 Ftlbs		1868 Nm / 1377 Ftlbs		2400 Nm / 1770 Ftlbs		3588 Nm / 2645 Ftlbs	
Rated Power Kw (HP)	22 Kw / 30 Hp		30 Kw / 40 Hp		37 Kw / 50 Hp		45 Kw / 60 Hp		58 Kw / 78 Hp		75 Kw / 100 Hp	
Rated frequency Hz	93.3 Hz		93.3 Hz		93.3 Hz		93.3 Hz		93.3 Hz		93.3 Hz	
Rated Speed	230 Rpm		230 Rpm		230 Rpm		230 Rpm		230 Rpm		195 Rpm	
Maximum Speed	250 Rpm		250 Rpm		250 Rpm		250 Rpm		250 Rpm		220 Rpm	
Shaft diameter	Conic Ø90 to 80 mm		Conic Ø90 to 80 mm		Conic Ø90 to 80 mm		Conic Ø90 to 80 mm		Conic Ø90 to 80 mm		Conic Ø90 to 80 mm	
Main Shaft Type	Conic Hollow Shaft		Conic Hollow Shaft		Conic Hollow Shaft		Conic Hollow Shaft		Conic Hollow Shaft		Conic Hollow Shaft	
Operating Temperature	-40°C+60°C		-40°C+60°C		-40°C+60°C		-40°C+60°C		-40°C+60°C		-40°C+60°C	
Insulation Class	F		F		F		F		F		F	
Outdoor Rating	IP54		IP54		IP54		IP54		IP54		IP54	
Weight	600 Kg / 1325 lbs		650 Kg / 1435 lbs		750 Kg / 1655 lbs		800 Kg / 1765 lbs		850 Kg / 1875 lbs		900 Kg / 1985 lbs	

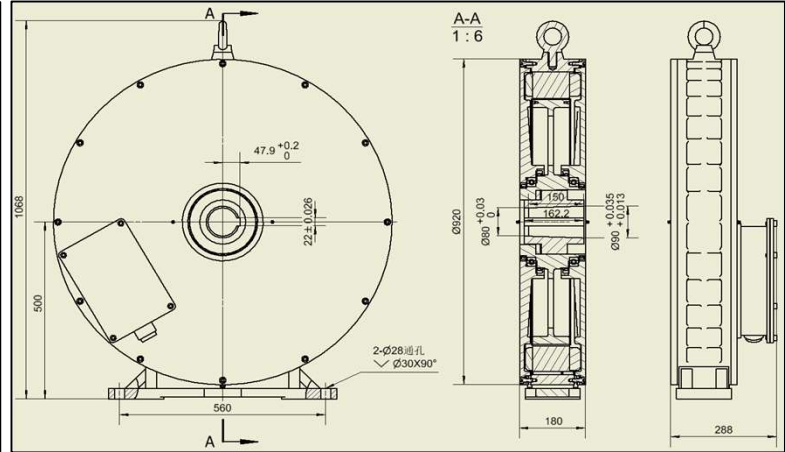
Permanent Magnet Motors

Dimensions:

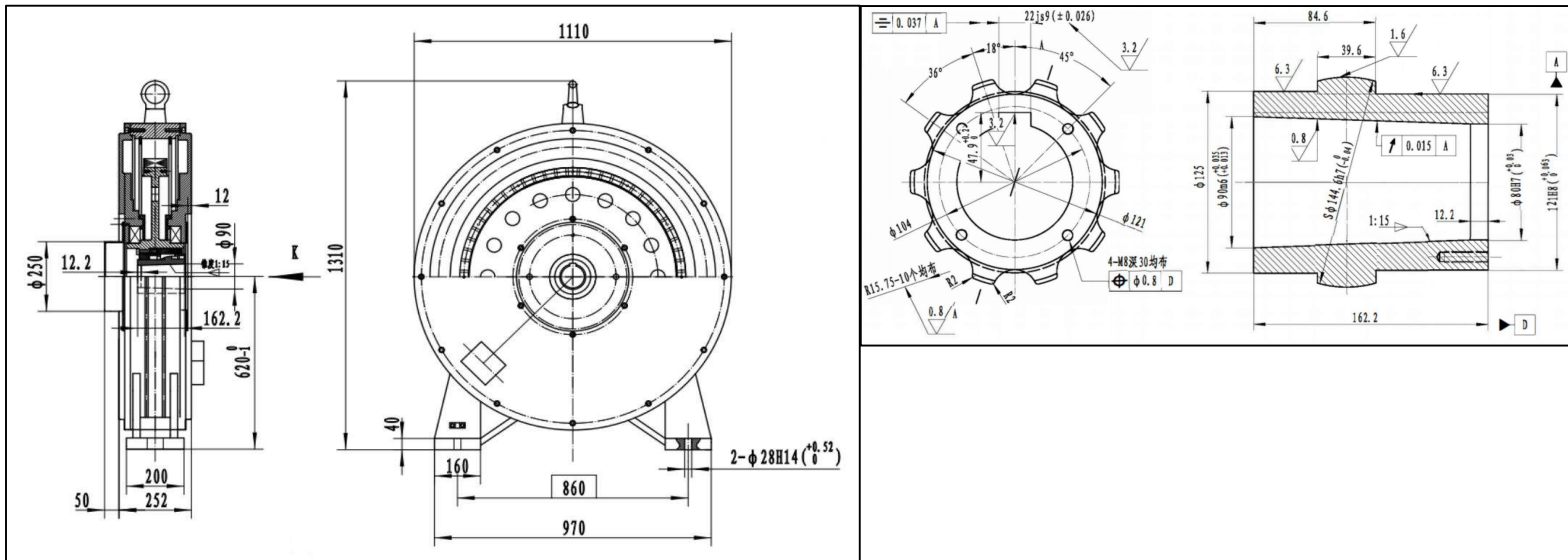
PMM22KW & PMM30KW



PMM37KW, PMM45KW & PMM58KW



PMM75KW



Notes:
